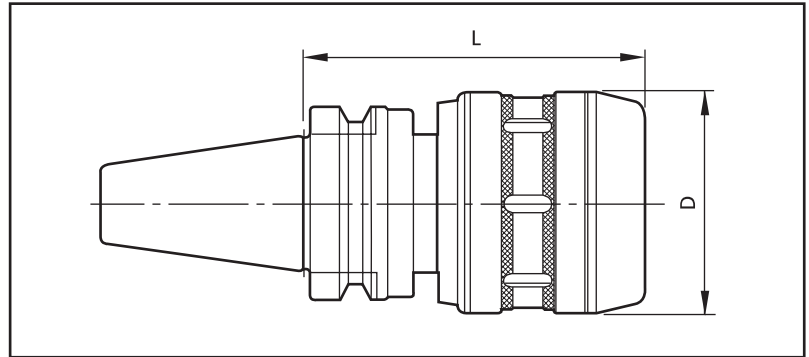


MAS BT40/50 Shank

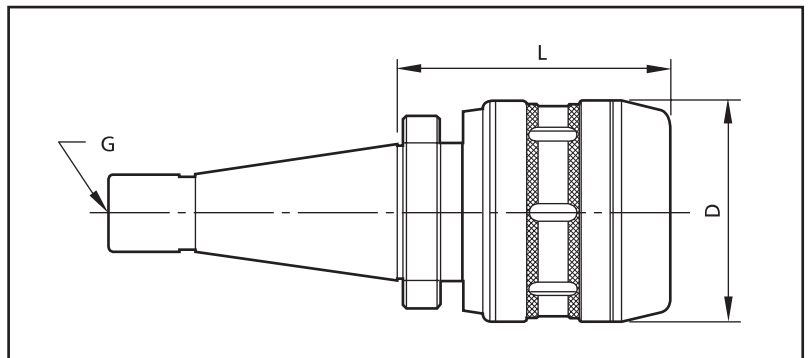
- Supplied with a spanner.



Taper Shank	Ordering Code	Type of holder	Clamping Range	L	D	Collet
BT30	0-330150-202	BT30-KCH20 -75	φ 6- φ 20	75	54	C20
BT40	0-340150-202	BT40-KCH20 -75	φ 6- φ 20	75	54	
	-204	-105	φ 6- φ 20	105	54	
	-206	-135	φ 6- φ 20	135	54	
	-402	BT40-KCH32-105	φ 6- φ 32	105	68	
	-404	-135	φ 6- φ 32	135	68	
BT50	0-350150-204	BT50-KCH20-105	φ 6- φ 20	105	54	C20
	-206	-135	φ 6- φ 20	135	54	
	-208	-165	φ 6- φ 20	165	54	
	-402	BT50-KCH32-105	φ 6- φ 32	105	68	C32
	-404	-135	φ 6- φ 32	135	68	
	-406	-165	φ 6- φ 32	165	68	
	-602	BT50-KCH42-105	φ 6- φ 42	105	87	

DIN2080/NT40/50 Shank

- Supplied with a spanner.

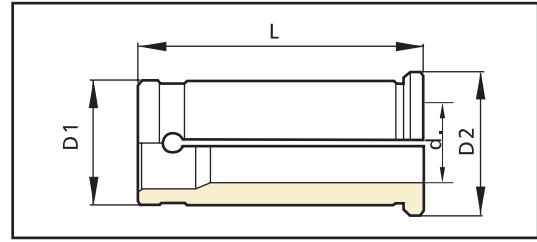


Taper Shank	Ordering Code	Type of holder	Clamping Range	L	D	G
NT40	0-344150-402	NT40-KCH32U	φ 6- φ 32	85	68	5/8"-11 UNC
DIN2080 SK40	0-343150-402	NT40-KCH32M	φ 6- φ 32			M16x2
NT50	0-354150-402	NT50-KCH32U	φ 6- φ 32	90		1"-8 UNC
DIN2080 SK50	0-353150-402	NT40-KCH32M	φ 6- φ 32			M24x3

always better

High Precision Spring Collet

- Made by High Alloy steel, hardened and precision ground.
- Designed for clamping end mill holder with H7 shank.
- For KCH high precision Collet Chuck.



Dimensions of collets

Collet	D1	D2	L
C20	20	25	64
C25	25	31	60
C32	32	37	71
C42	42	48	80

★ Inch size on request

Ordering Code	Collet Size d.	Ordering Code	Collet Size	Ordering Code	Collet Size d.	Ordering Code	Collet Size d.
0-300150-206	C20-6	0-300150-306	C25-6	0-300150-406	C32-6	0-300150-506	C42-6
-208	-8	-308	-8	-408	-8	-508	-8
-210	-10	-310	-10	-410	-10	-510	-10
-212	-12	-312	-12	-412	-12	-512	-12
-216	-16	-314	-14	-414	-14	-514	-14
		-316	-16	-416	-16	-516	-16
		-318	-18	-418	-18	-518	-18
		-320	-20	-420	-20	-520	-20
				-422	-22	-522	-22
				-425	-25	-525	-25
						-532	-32

always better

Milling Chuck Set

- for machining center and milling machine.
- Supplied with collets, spanner and wooden box.



Taper Shank	Ordering Code	Type of Holder	Contents
BT30	0-300150-3020	SBT30-KCH20	Collet Chuck: as type of holder. Collets: C20- ϕ 6,8,10,12,16 Spanner: 1 pc. Wooden box: 1 pc.
BT40	0-300150-4020	SBT40-KCH20	
	-4040	SBT40-KCH32	Collet Chuck: as type of holder. (standard length) Collets: C32- ϕ 6,8,10,12,16,20,25 Spanner: 1 pc. Wooden box: 1 pc.
NT40	0-300150-4440	SNT40-KCH32U	
DIN2080 SK40	-4340	-KCH32M	
NT50	0-300150-5440	SNT50-KCH32U	
DIN2080 SK50	-5340	-KCH32M	
BT50	0-300150-5040	SBT50-KCH32	

Spanner for KCH High precision chuck

- The spanner is made by forged alloy steel, hardened and machined for properly clamping the KCH spring collet chucks.

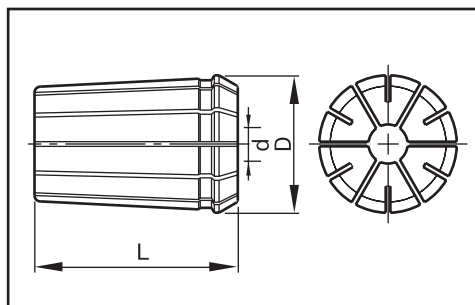


Ordering Code	Type of spanner	Spring collet chuck
0-301150-202	SP-C20	KCH20
0-301150-402	SP-C32	KCH32
0-301150-602	SP-C42	KCH42

OZ Spring Collets

Features:

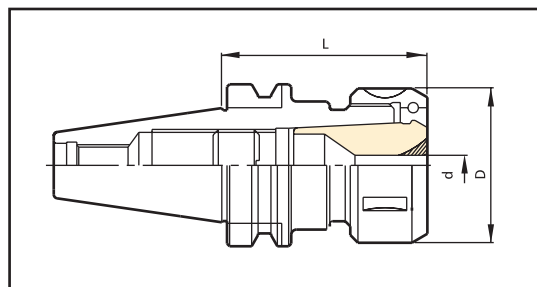
- Collets are made according DIN 6388.
- Z16 and inch sizes are available.



Ordering code	Type of Holder	d	D	L
0-300110-206	Z25-6	6	35.05	52
-208	-8	8		
-210	-10	10		
-212	-12	12		
-216	-16	16		
-220	-20	20		
-225	-25	25		
0-300110-306	Z32-6	6	44	60
-308	-8	8		
-310	-10	10		
-312	-12	12		
-316	-16	16		
-320	-20	20		
-325	-25	25		
-332	-32	32		

MAS BT 40/50 Shank
Features:

- Supplied with backup screw and clamp nut.
- Spanner is optional.



Taper Shank	Ordering Code	Type of Holder	L	D	d
BT40	0-340110-252	BT40-OZ25-80	80	60	6-25
	-322	BT40-OZ32-90	90	78	6-32
BT50	0-350110-252	BT50-OZ25-90	90	60	6-25
	-322	-OZ32-100	100	78	6-32